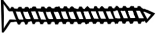
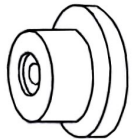
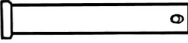





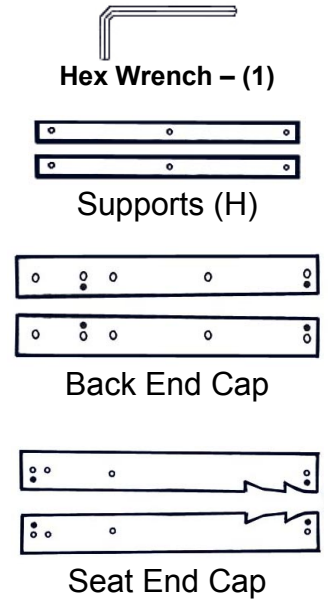
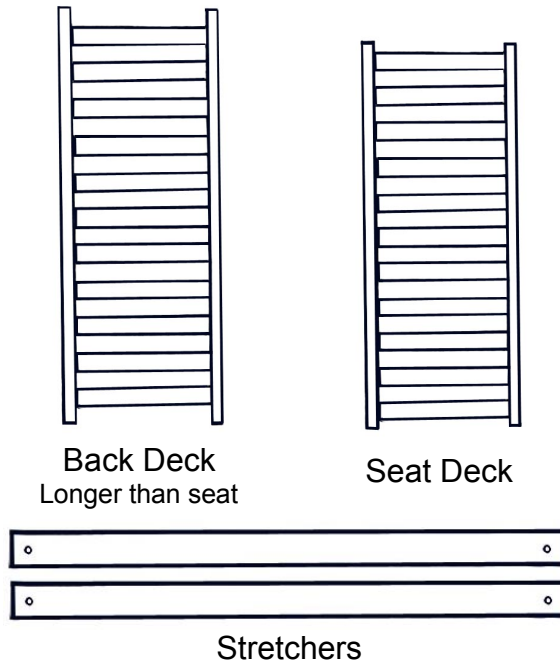


# BEDWORKS FUTON FRAME ASSEMBLY INSTRUCTIONS

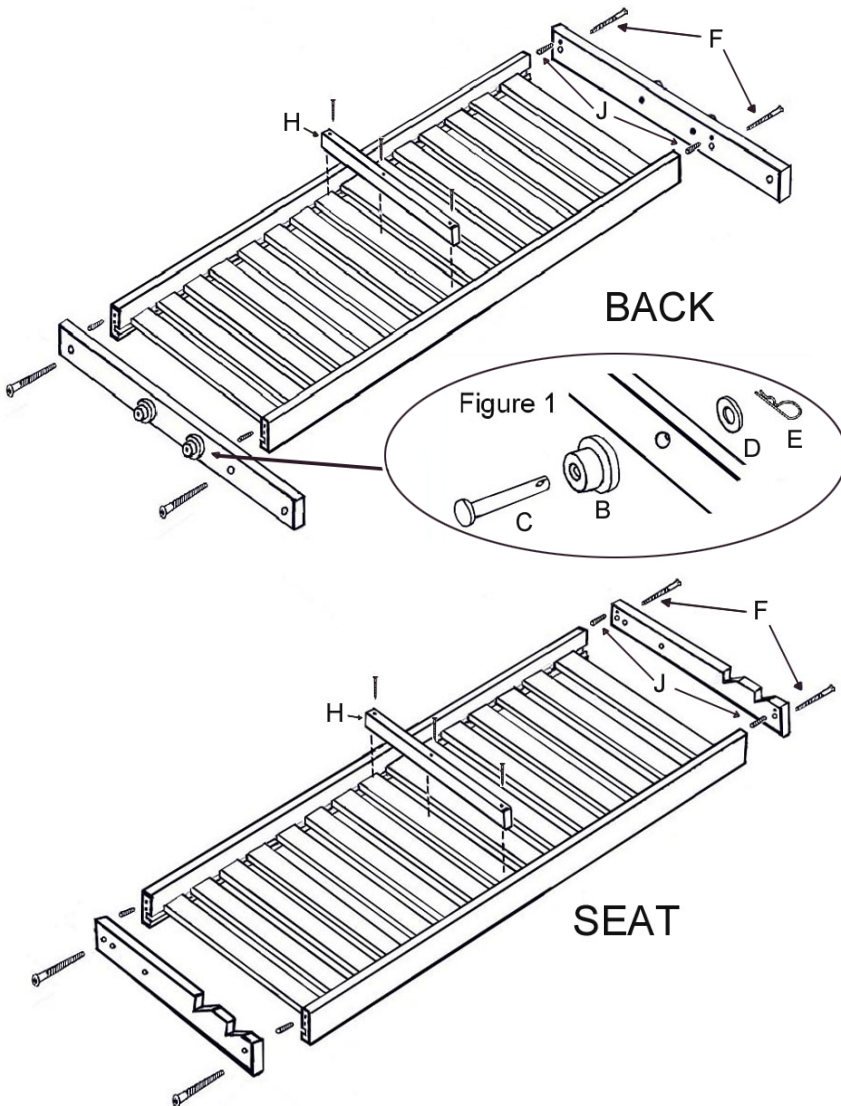
## HARDWARE AND PARTS

## Deck Pieces

- A  Screw (6)
- B  Roller – (4)
- C  Clevis Pin – (6)
- D  Washer – (6)
- E  Fastener – (6)
- F  Connector Screw – (8)
- L  Large Dowel – (8)
- J  Small Dowel – (8)



## SEAT AND BACK ASSEMBLY



Attach support (H) to seat and back decks with wood screws (A) for support.

Attach back end caps using wood dowel (J) and connector screw (F).

See figure 1 for attaching plastic roller. Clevis pin (C) goes through roller (B). Then push the remainder of clevis pin (C) through the appropriate holes in the end cap. Place washer (D) over the end of the clevis pin and secure with fastener (E).

Attach seat end caps to seat deck using wood dowel (J) and connector screw (F). Dowels go into the holes in the end caps that do not go all the way through the wood.

Make sure indentations in end caps are facing as shown. These will lock the seat in place when in a couch position.

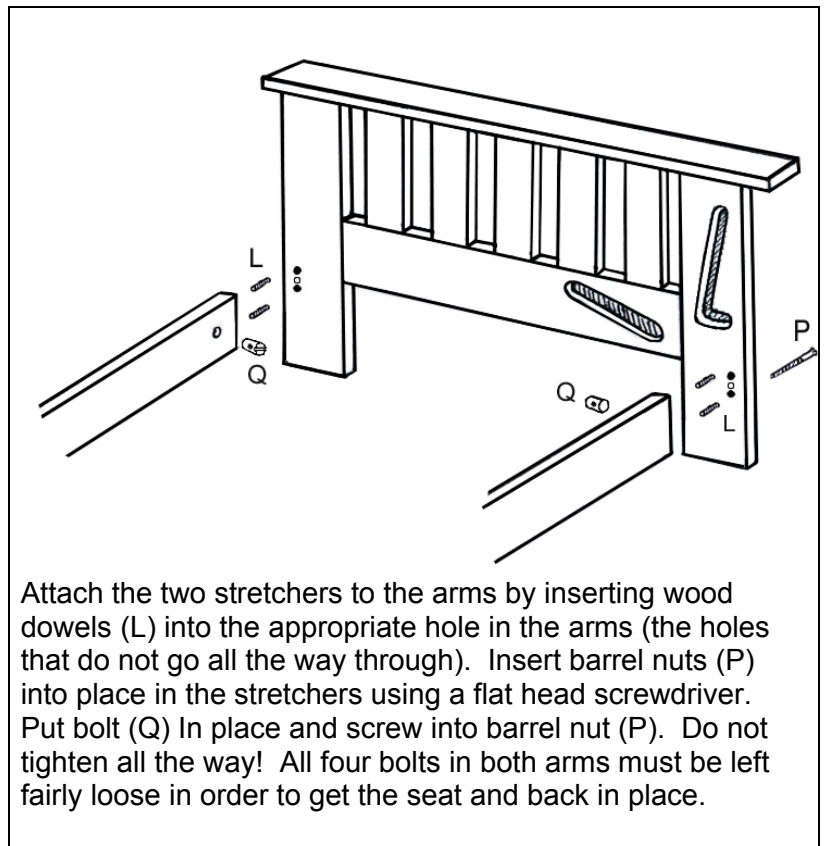
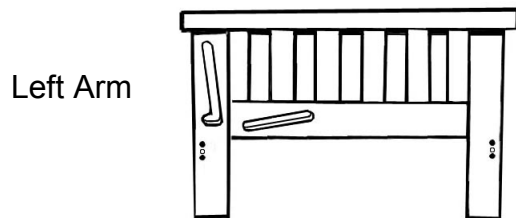
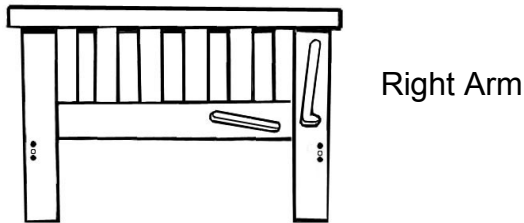
You should have two more clevis pins (C), two more washers (D) and two more fasteners (E). These are for attaching the seat and back together (we'll get to that later). You should also have 8 dowels (L).

## Arm Hardware

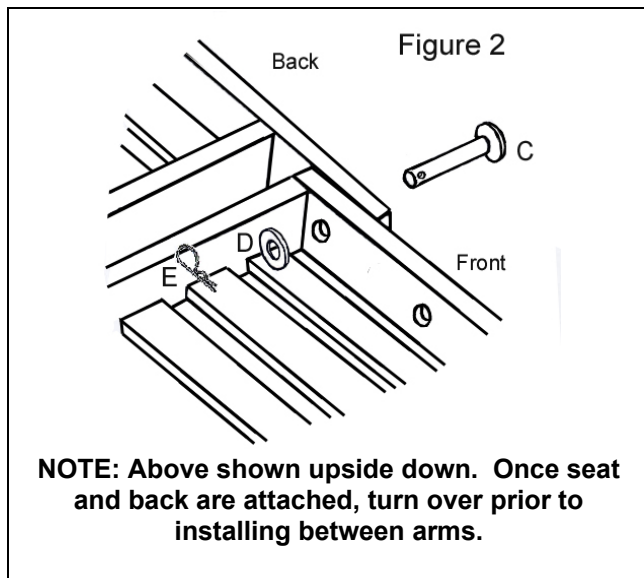
P  Bolt (4)

Q  Barrel Nut (4)

**IMPORTANT** – On some frames these bolts are different lengths if the legs vary in thickness. Use Longer bolts on thicker legs.



Attach the two stretchers to the arms by inserting wood dowels (L) into the appropriate hole in the arms (the holes that do not go all the way through). Insert barrel nuts (P) into place in the stretchers using a flat head screwdriver. Put bolt (Q) in place and screw into barrel nut (P). Do not tighten all the way! All four bolts in both arms must be left fairly loose in order to get the seat and back in place.



See Figure 2 for attaching the seat and back assemblies together. Clevis pin © goes through appropriate holes in seat and back and is fastened with washer (D) and pin (E).

Now it's time to put the seat and back in place. (Note: with some frame styles, it is possible to put the back in place by itself, tighten bolts (Q) and then attach the seat. In order to do this you must be able to access the hole in Figure 2 with the back already in place).

To fold into a sleeper, pull seat towards you. Nudge backwards to lock in place for sleeping. To convert back, nudge forward out of the locked position and lift from the back until fully upright.

**REDWORKS**  
The Futon Shop